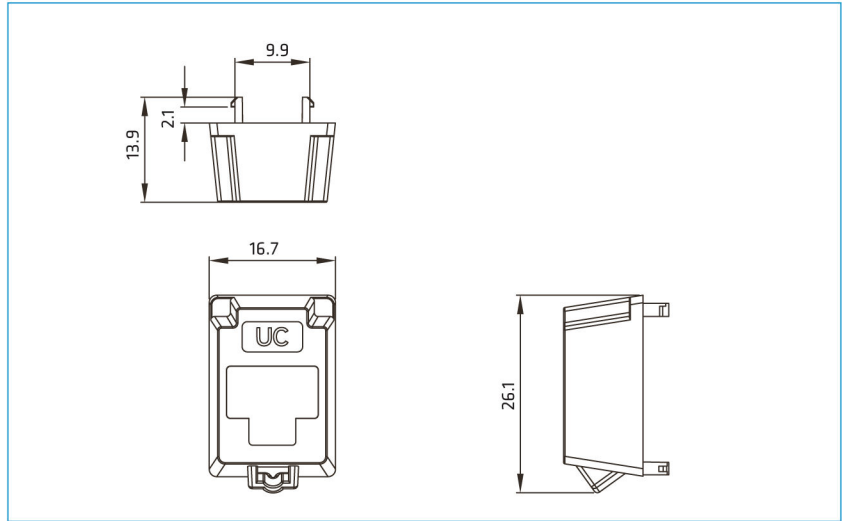


UC CACC PG WH/YL

Panel Secure Plug, Transparent/Yellow



Ordering Information

SAP IC	UC P/N	UC Material Code	Product Description	P.U
YGPBP00392	KPPG-WH	UC CACC PG WH	Panel Secure Plug, Transparent	10pc/bag
YGPBP00395	KPPG-YL	UC CACC PG YL	Panel Secure Plug, Yellow	10pc/bag